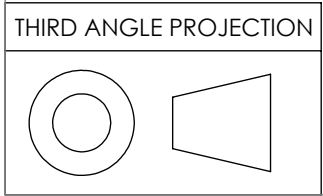
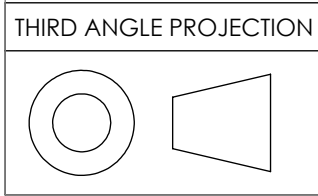
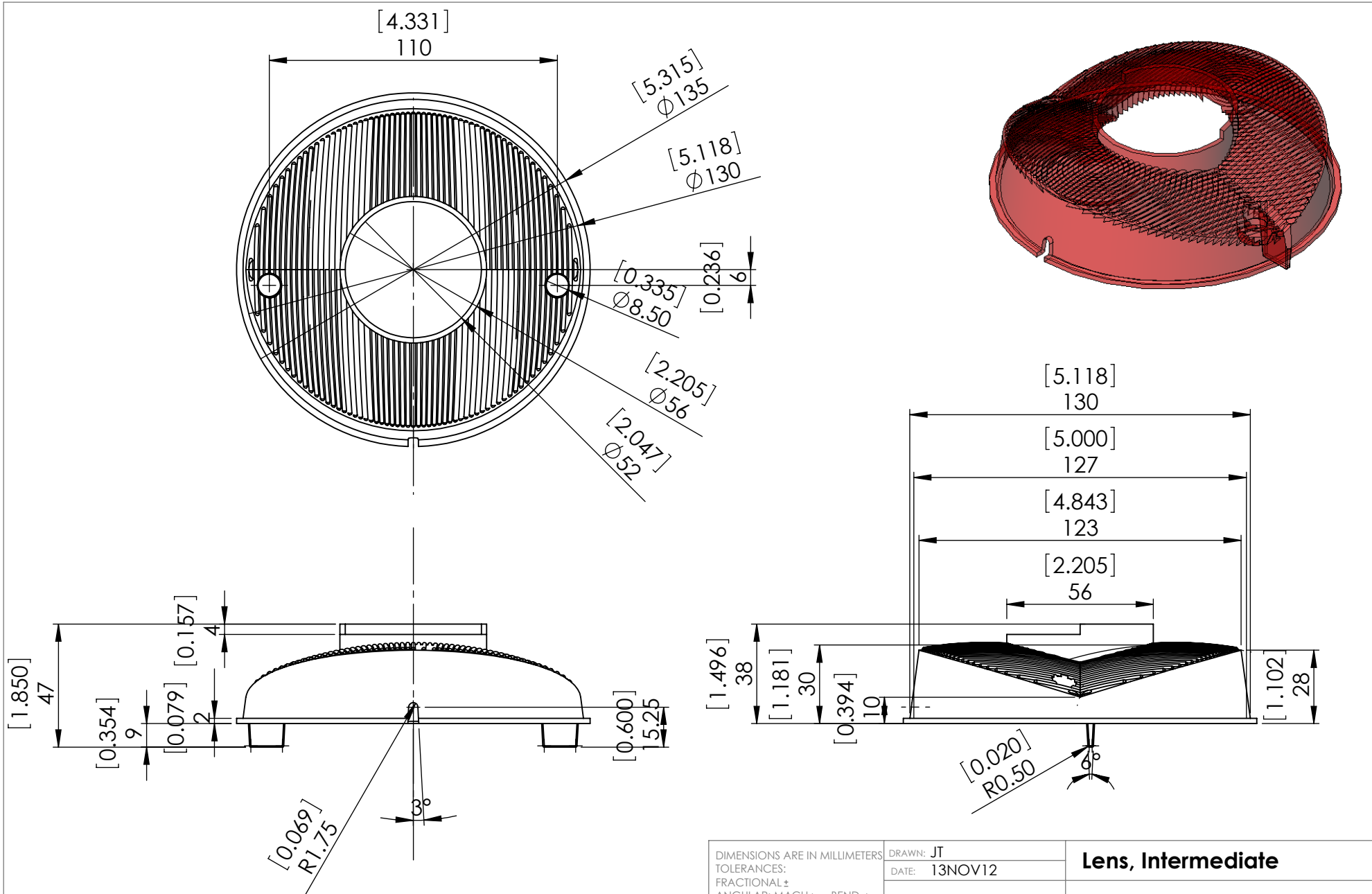


A-A (1 : 1)

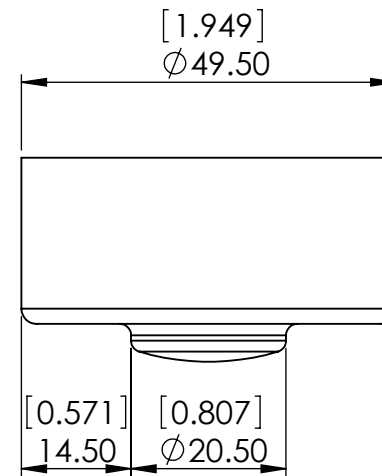
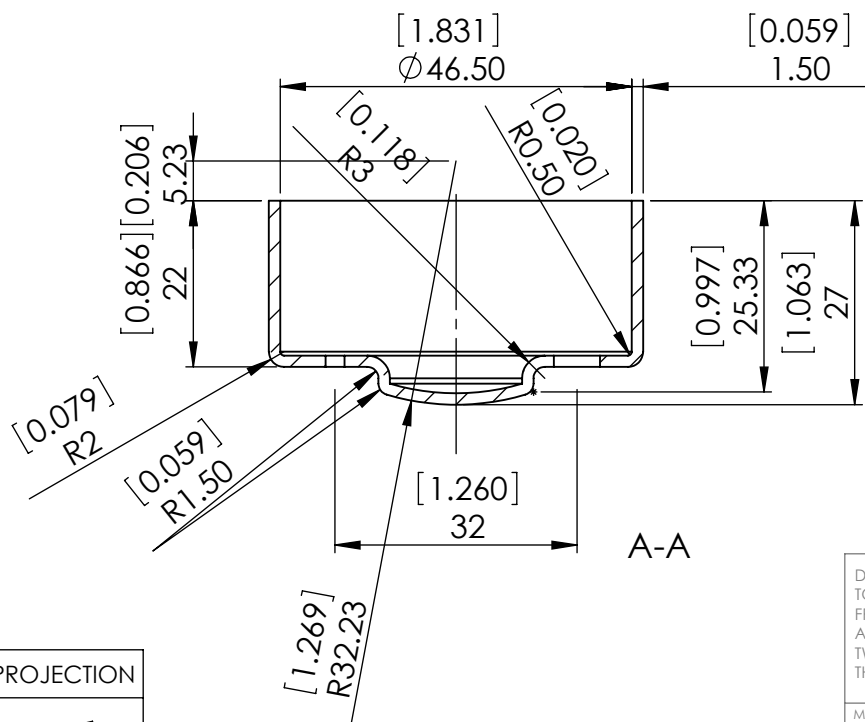
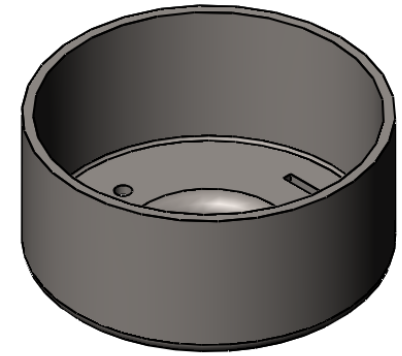
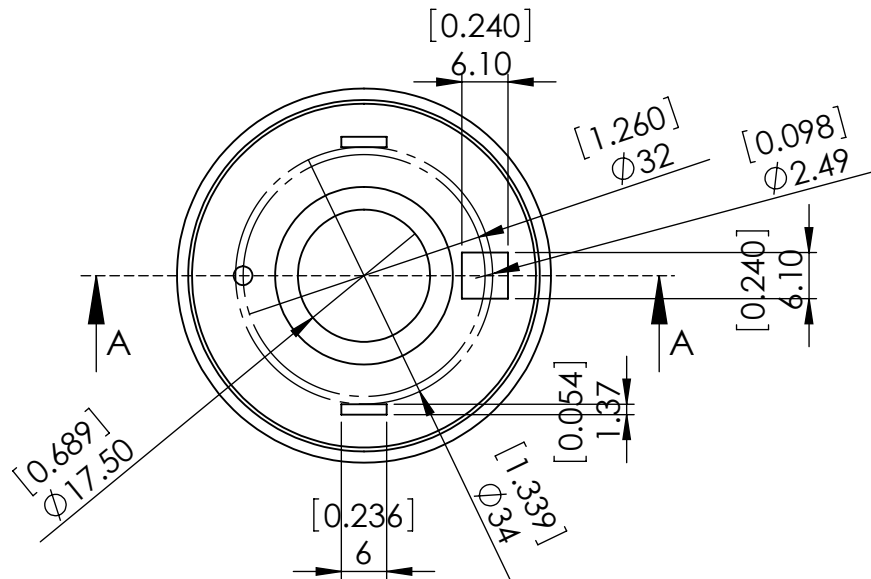


DIMENSIONS ARE IN MILLIMETERS		DRAWN: JT	906 Tail Light Lens
TOLERANCES:		DATE: 01OCT13	
FRACTIONAL ±			906, Fig 9/2C, #22 906.631.403.00 Qty: 2
ANGULAR: MACH ± BEND ±			
TWO PLACE DECIMAL ± 0.005"			
THREE PLACE DECIMAL ±		COMMENTS:	
		Jim Tidwell Tel: (619) 920-9030 jtiddwell@speakeasy.net	
MATERIAL			
Acrylic			
FINISH			
Translucent paint			
DO NOT SCALE DRAWING		8.5 x 11 Paper	
SIZE Cus- tom	FILENAME / DWG. NO.	REV.	
	SW10_906TailLight_LensOuter_Drawing		
SCALE: 1:1	WEIGHT: xx grams	SHEET 1 OF 1	

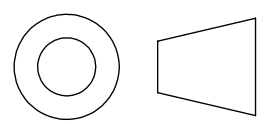


Created: Sunday, November 11, 2012 6:41:41 PM, Printed: 12/3/2013

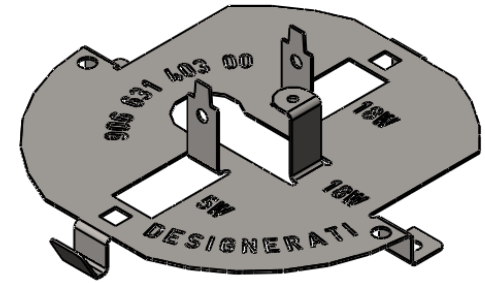
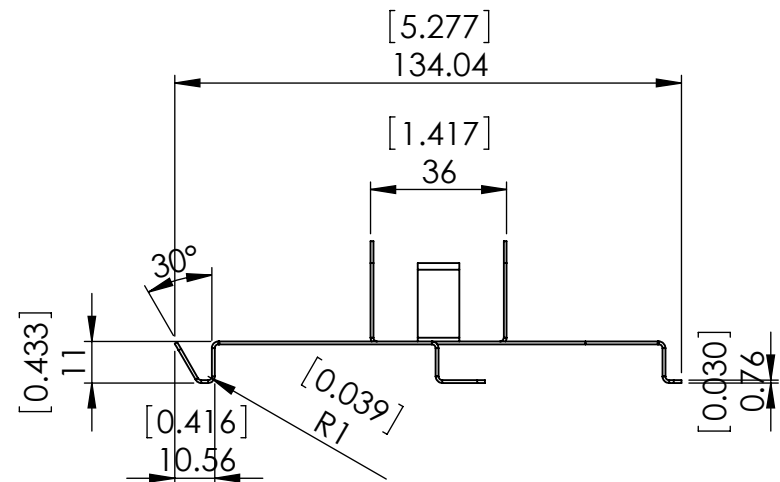
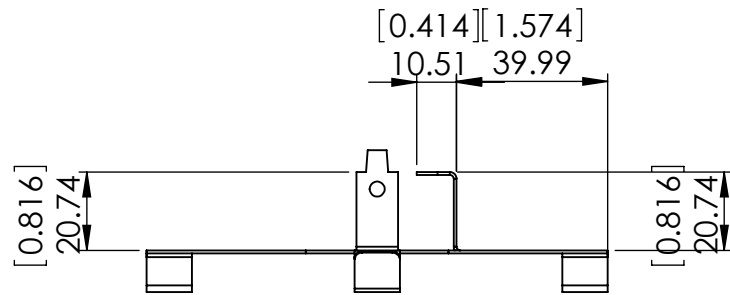
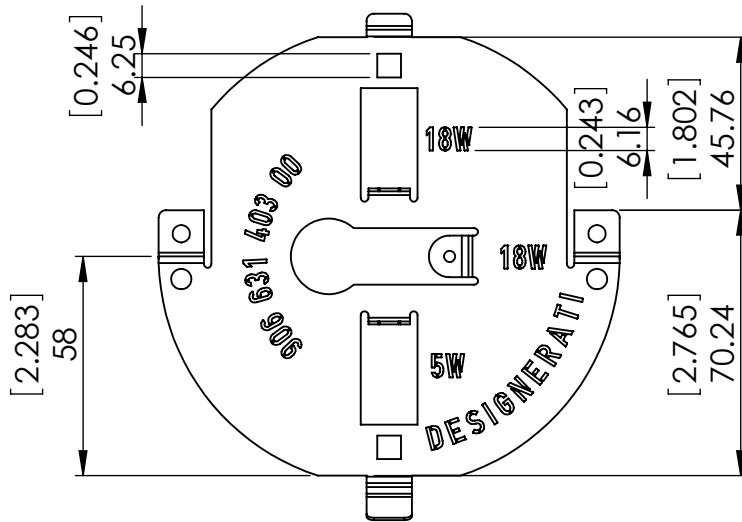
DIMENSIONS ARE IN MILLIMETERS		DRAWN: JT	
TOLERANCES:		DATE: 13NOV12	
FRACTIONAL ±			
ANGULAR: MACH ± BEND ±			
TWO PLACE DECIMAL ± 0.005"			
THREE PLACE DECIMAL ±			
MATERIAL		COMMENTS:	
ABS, Red, Clear		Jim Tidwell	
FINISH		Tel: (619) 920-9030	
Polished		jtiddwell@speakeasy.net	
DO NOT SCALE DRAWING		8.5 x 11 Paper	
Lens, Intermediate			
Used in Porsche 906			
906.631.403.00			
Fig 9/02C, #22			
SIZE	FILENAME / DWG. NO.	REV.	
Cus- tom	SW10_906TailLight_Lens,Intermediate_Drawing		
SCALE: 1:2	WEIGHT: 60.06 grams	SHEET 1 OF 1	



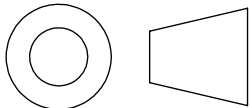
THIRD ANGLE PROJECTION



DIMENSIONS ARE IN MILLIMETERS TOLERANCES: FRACTIONAL ± ANGULAR: MACH ± BEND ± TWO PLACE DECIMAL ± 0.005" THREE PLACE DECIMAL ±	DRAWN: JT	Reflector For Porsche 906, Fig 9/2C, #22 906.631.403.00 Qty: 2
	DATE: 01OCT13	
MATERIAL Titanium, Gr 5 (6AL-4V)	COMMENTS: Jim Tidwell Tel: (619) 920-9030 jtidwell@speakeasy.net	
FINISH Ra 12 (Polished)		
DO NOT SCALE DRAWING	8.5 x 11 Paper	
SCALE: 1:1	WEIGHT: 17.08 gram	REV. SHEET 1 OF 1
	FILENAME / DWG. NO. SW10_906TailLight_Reflector_Drawing	

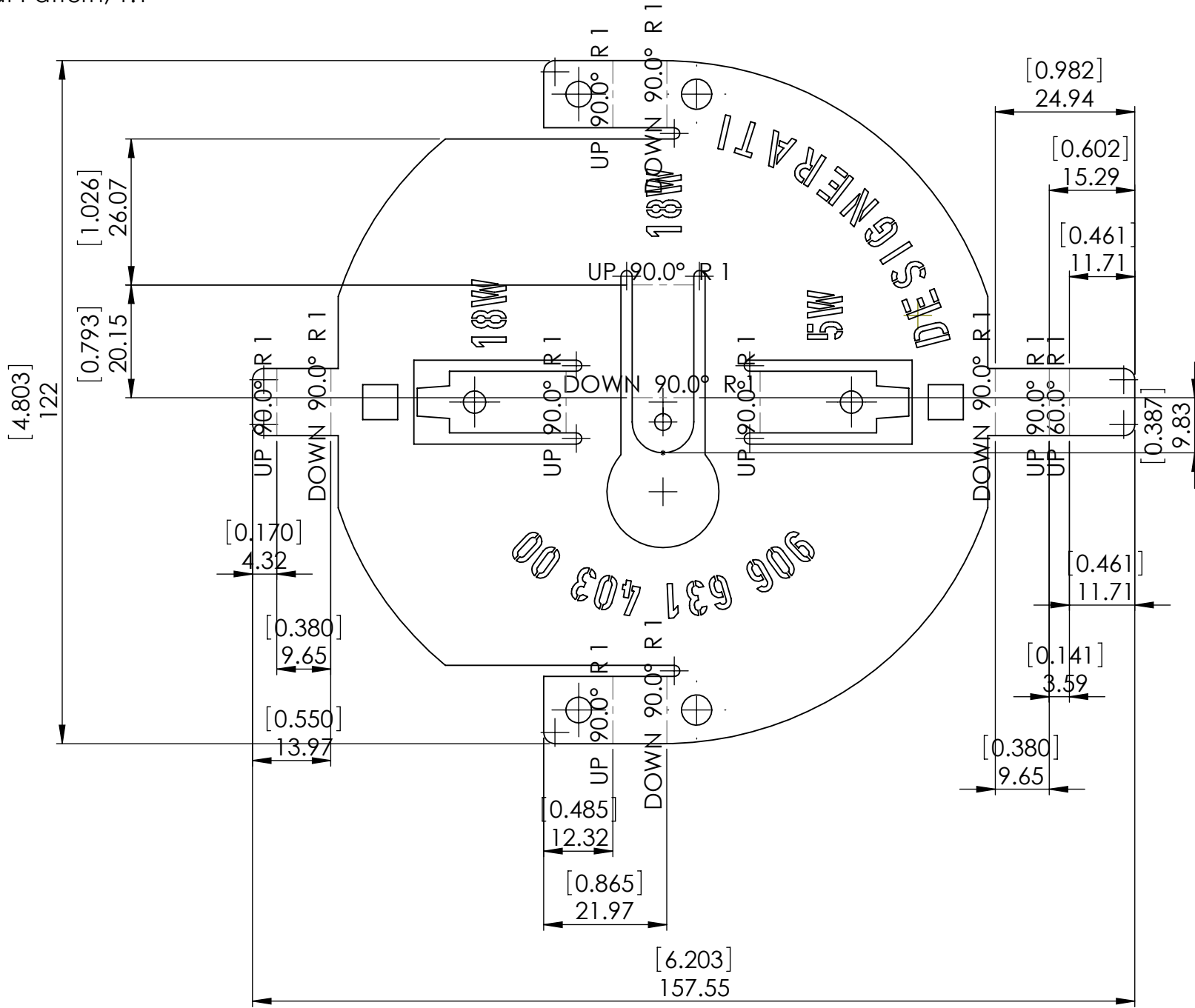


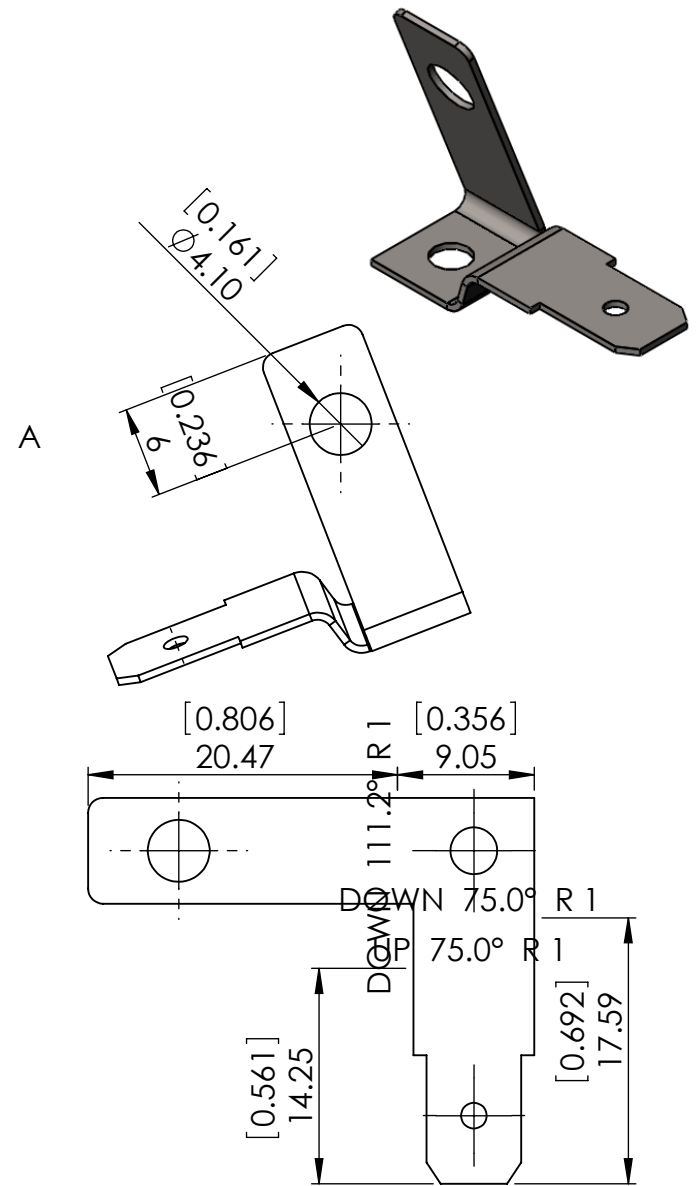
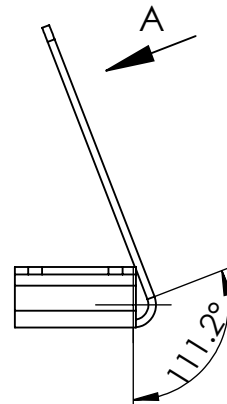
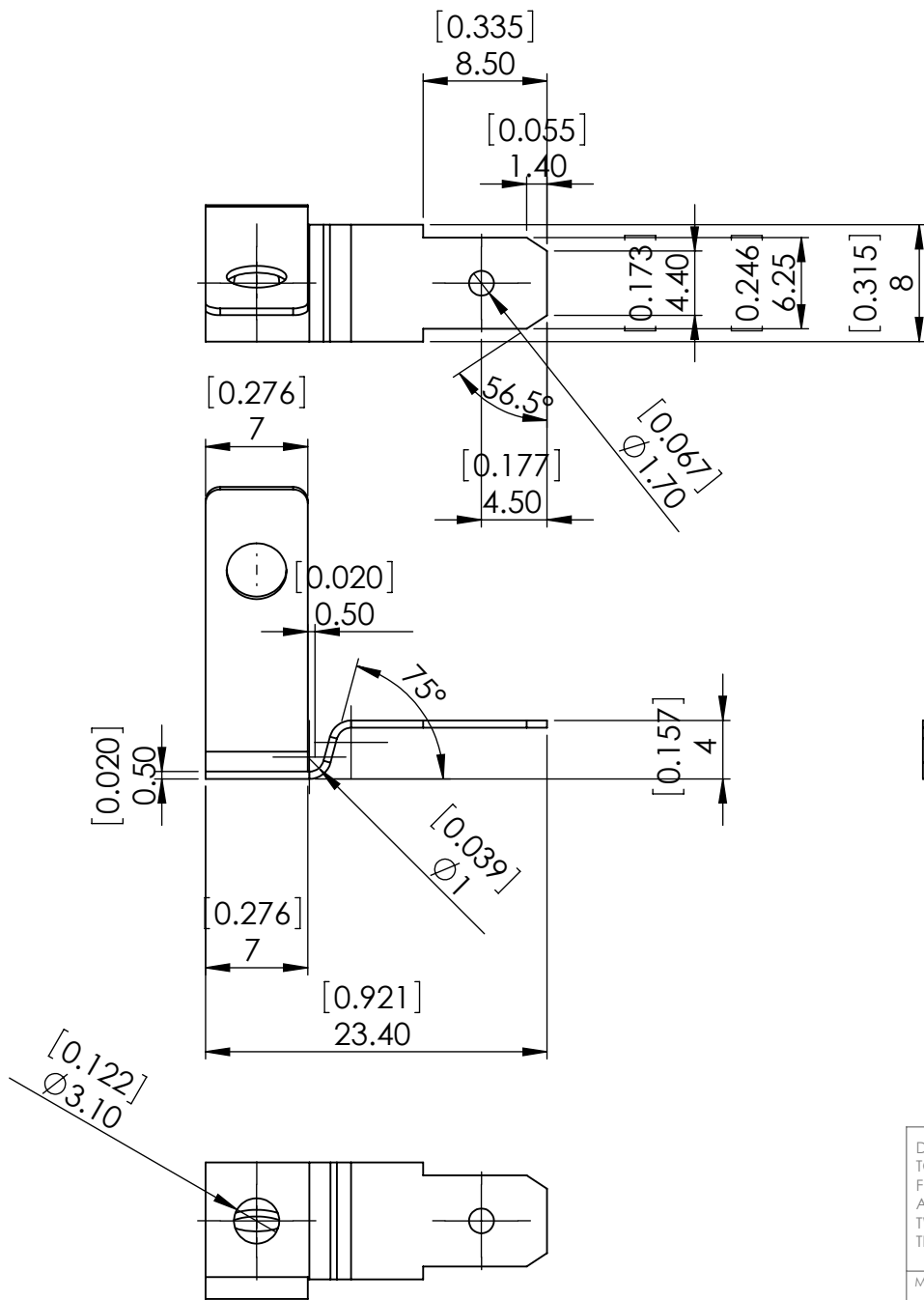
THIRD ANGLE PROJECTION



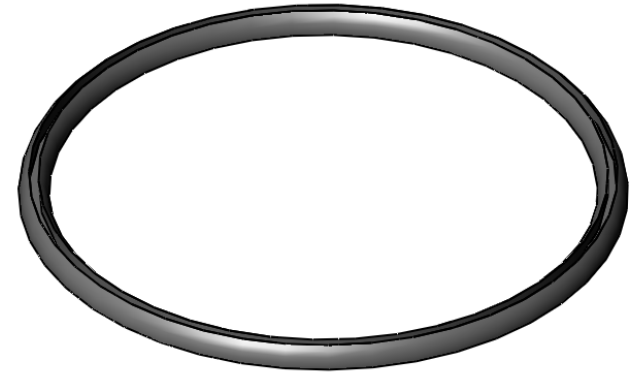
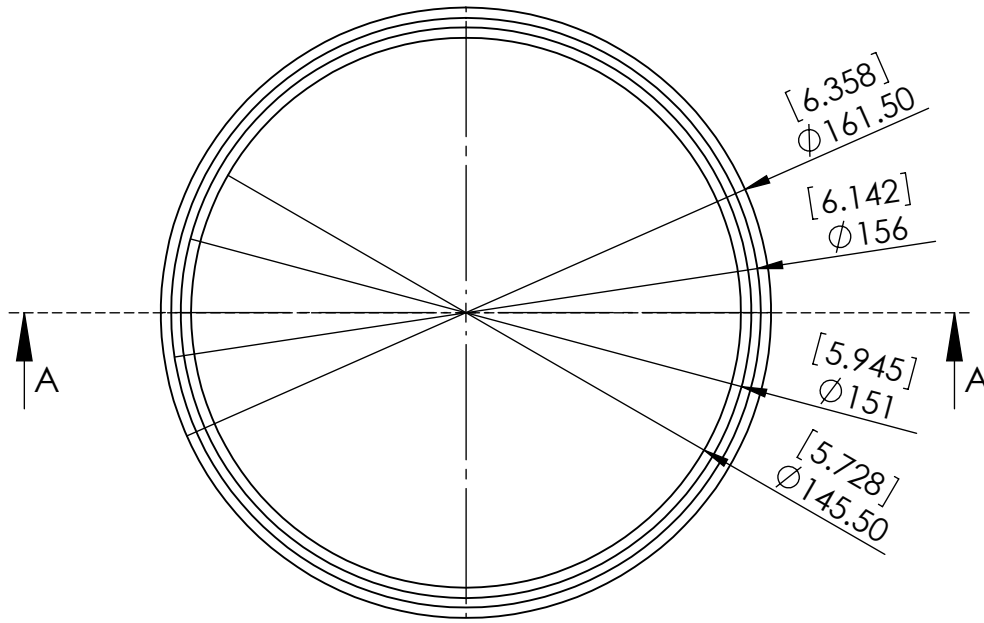
DIMENSIONS ARE IN MILLIMETERS TOLERANCES: FRACTIONAL ± ANGULAR: MACH ± BEND ± TWO PLACE DECIMAL ± 0.005" THREE PLACE DECIMAL ±	DRAWN: JT	TailLight Base
	DATE: 01OCT13	
MATERIAL Stainless 304, 0.030"	COMMENTS: Jim Tidwell Tel: (619) 920-9030 jtiddwell@speakeasy.net	REV.
FINISH Ra 12 (Polished)	8.5 x 11 Paper	SCALE: 1:2
DO NOT SCALE DRAWING	FILENAME / DWG. NO. SW10_906TailLight_Baseplate_Drawing	WEIGHT: 64.71 grams
		SHEET 1 OF 2

Flat Pattern, 1:1

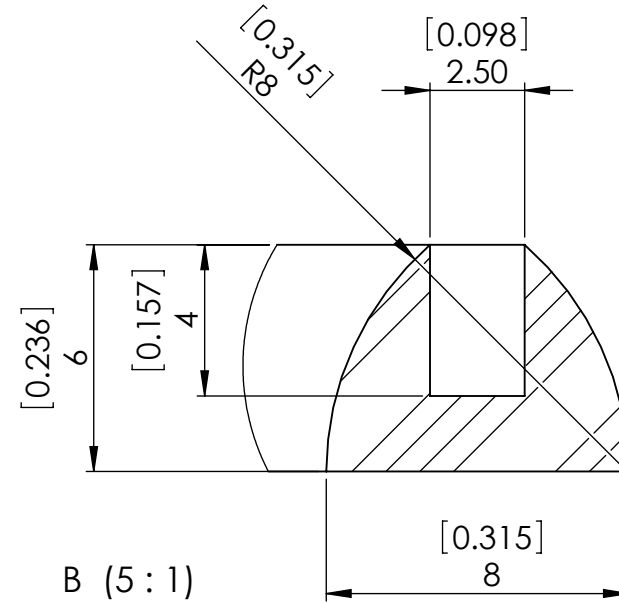
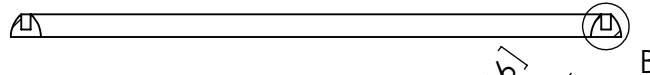




DIMENSIONS ARE IN MILLIMETERS		DRAWN: JT	906 Taillight Lens Terminal
TOLERANCES:		DATE: 01OCT13	
FRACTIONAL ±			For use with 906, Fig 9/2C, #22 906.631.403.00 Qty: 2
ANGULAR: MACH ± BEND ±			
TWO PLACE DECIMAL ± 0.005*		COMMENTS:	
THREE PLACE DECIMAL ±		Jim Tidwell Tel: (619) 920-9030 jtiddwell@speakeasy.net	
MATERIAL			
Titanium, Gr 5 (6AL-4V)			
FINISH			
Ra 12 (Polished)			
DO NOT SCALE DRAWING		8.5 x 11 Paper	
SIZE	FILENAME / DWG. NO.	REV.	
Cus- tom	SW10_906TailLight_Terminal_Drawing		
SCALE: 1:1	WEIGHT: 0.70 grams	SHEET 1 OF 1	

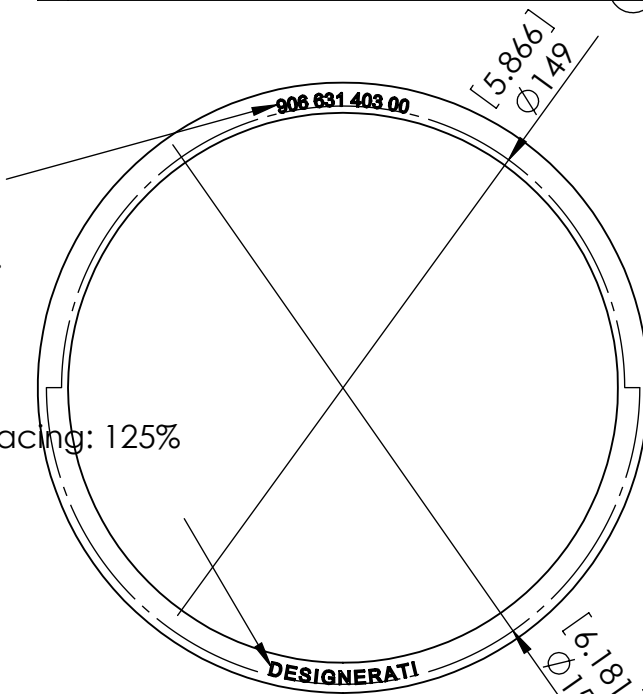


A-A

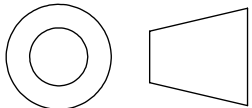


Sunken Text:
 906 631 403 00
 Typeface: Arial
 Font: 14 point
 Depth: 0.75mm
 Base: 149mm Dia.

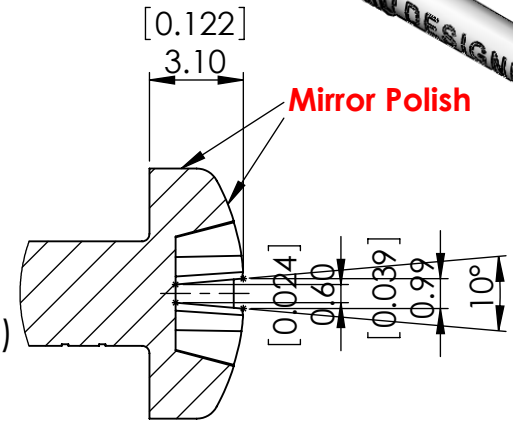
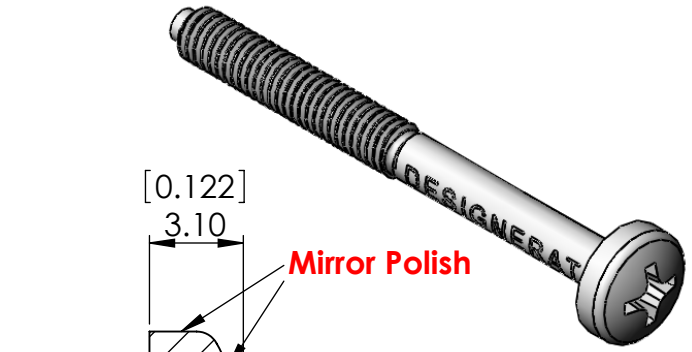
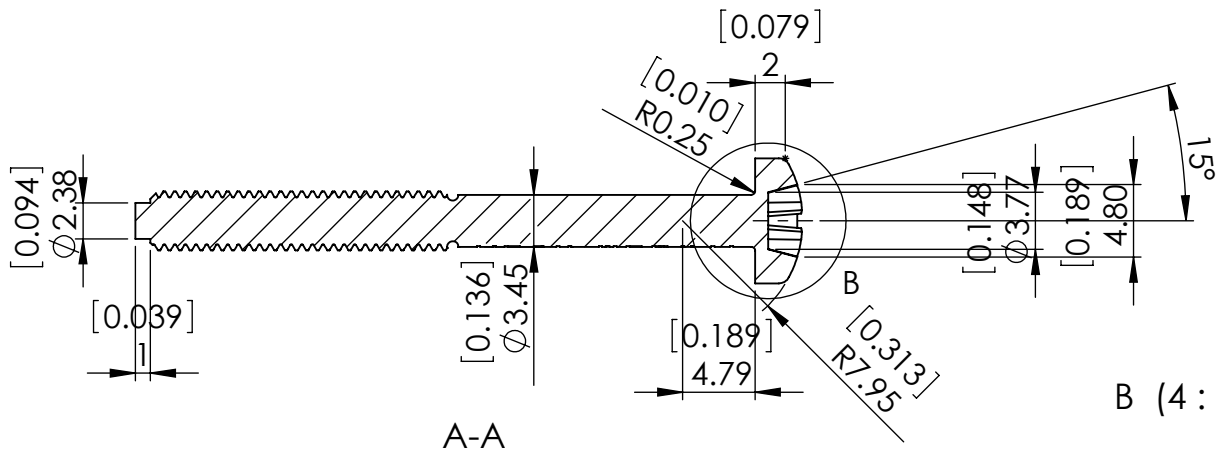
Sunken Text:
 DESIGNERATI
 Typeface: Arial
 Font: 14 point
 Intercharacter Spacing: 125%
 Depth: 0.75mm
 Base: 157mm Dia.



THIRD ANGLE PROJECTION

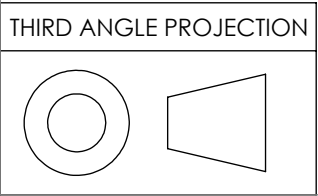
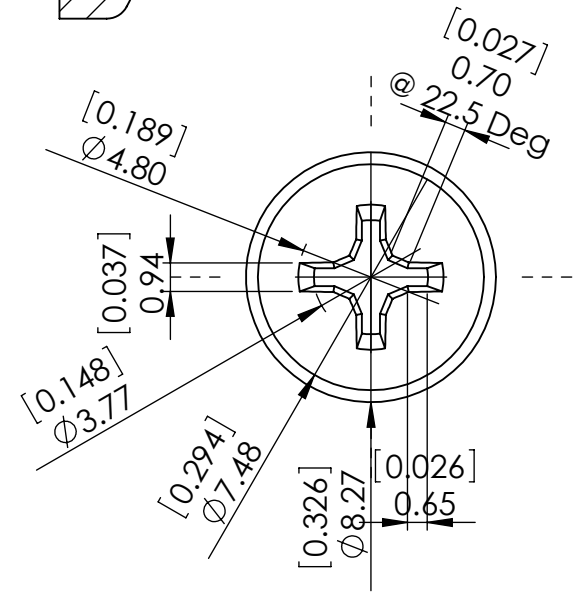
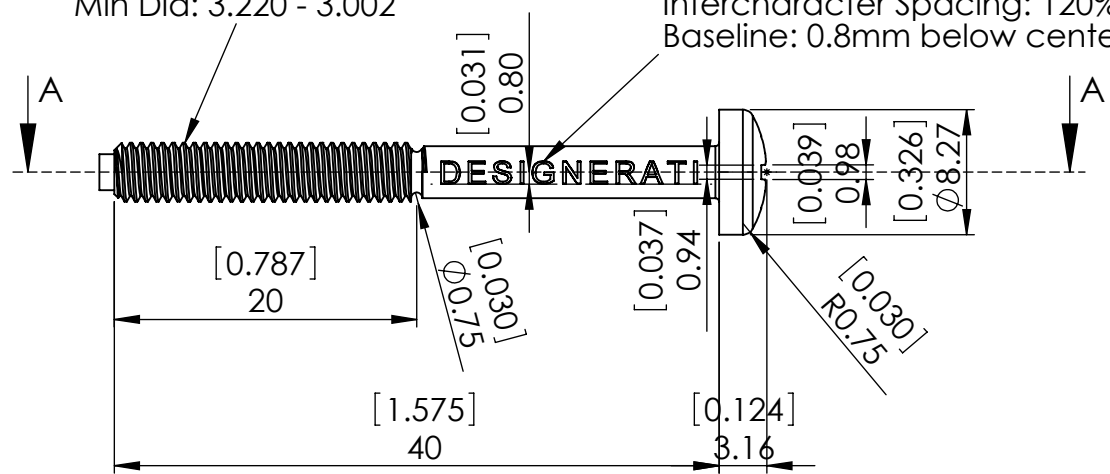


DIMENSIONS ARE IN MILLIMETERS TOLERANCES: FRACTIONAL ± ANGULAR: MACH ± BEND ± TWO PLACE DECIMAL ± 0.005* THREE PLACE DECIMAL ±	DRAWN: JT	Lens Seal	
	DATE: 01OCT13		
MATERIAL NBR, Shore 60A	COMMENTS: Jim Tidwell Tel: (619) 920-9030 jtidwell@speakeasy.net	For Porsche 906, Fig 9/2C, #22 906.631.403.00 Qty: 2	
FINISH As cast, Black	8.5 x 11 Paper	SIZE Cus- tom	FILENAME / DWG. NO. SW10_906TailLight_Seal_Drawing
DO NOT SCALE DRAWING		SCALE: 1:1	WEIGHT: 15.36 grams
		SHEET 1	OF 1

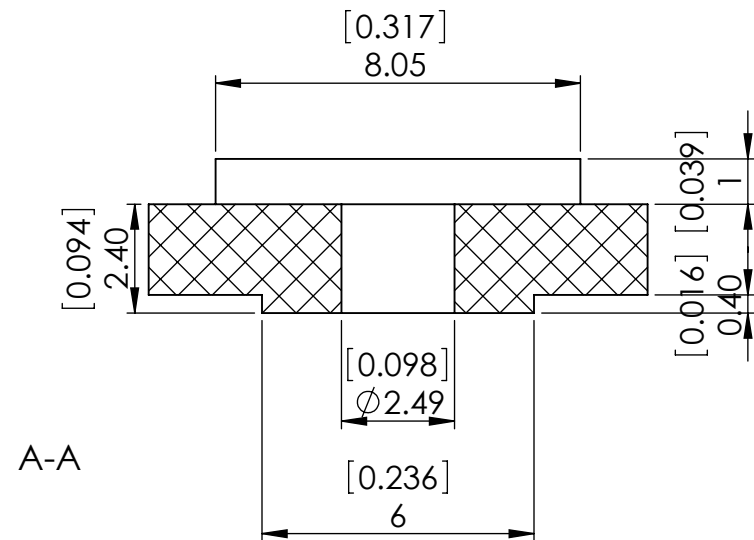
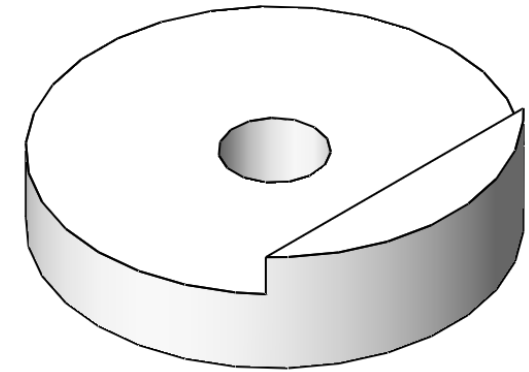
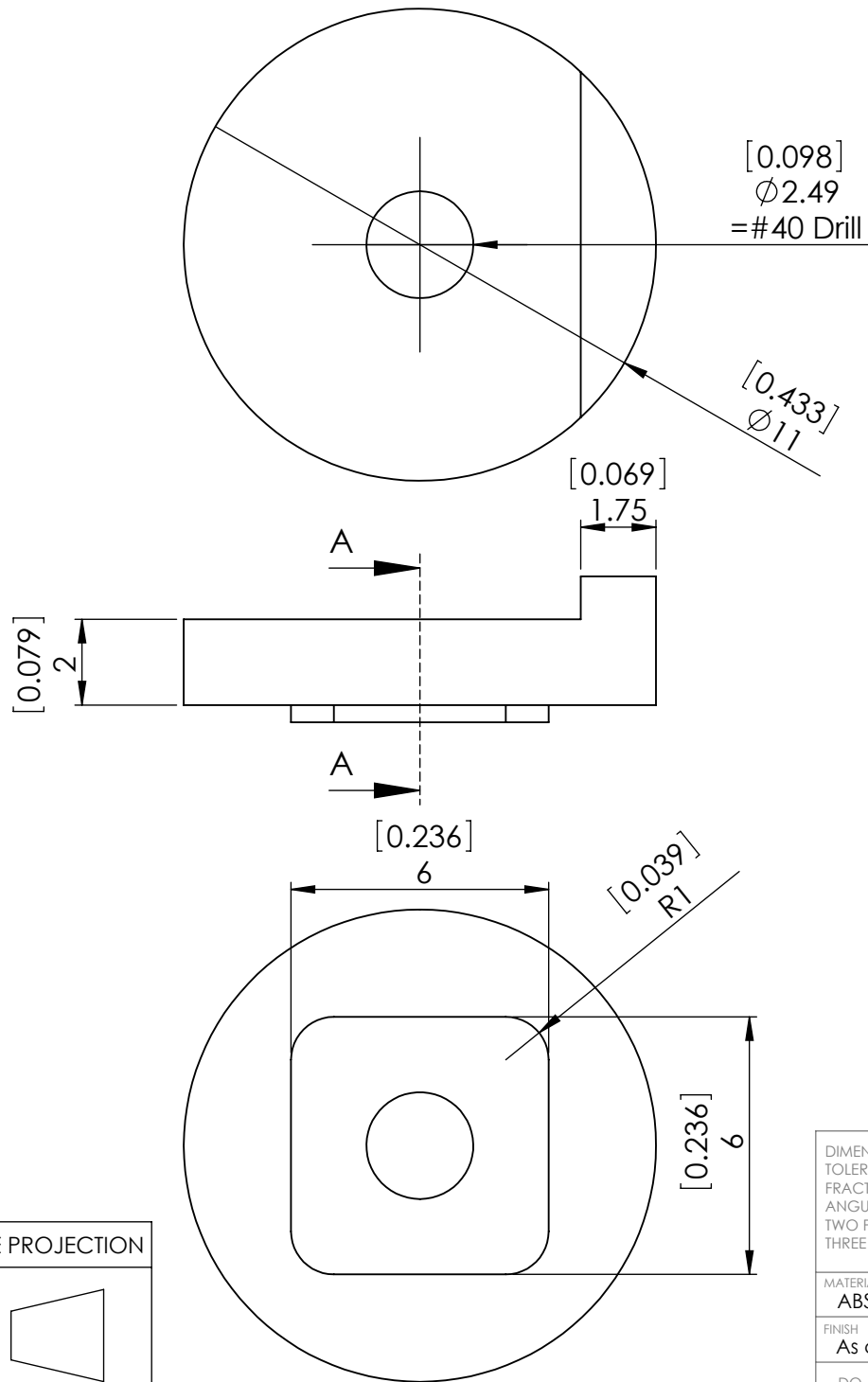


M4 x 0.7 6g
 Maj Dia: 3.978 - 3.838
 Min Dia: 3.220 - 3.002

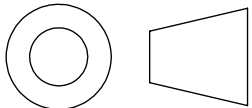
Laser Engraving: DESIGNERATI
 Typeface: Arial
 Font: 8 point
 Intercharacter Spacing: 120%
 Baseline: 0.8mm below centerline



DIMENSIONS ARE IN MILLIMETERS TOLERANCES: FRACTIONAL ± ANGULAR: MACH ± BEND ± TWO PLACE DECIMAL ± 0.005° THREE PLACE DECIMAL ±	DRAWN: JT	Screw, M 4x0.7x40mm
	DATE: 01OCT13	
MATERIAL Titanium, Gr 5 (6AL-4V)	COMMENTS: Jim Tidwell Tel: (619) 920-9030 jtiddwell@speakeasy.net	REV.
FINISH Ra 12 (Polished)	DO NOT SCALE DRAWING	SCALE: 2:1
	8.5 x 11 Paper	FILENAME / DWG. NO. SW10_906TailLight_Screw_Drawing
		WEIGHT: 2.07 grams
		SHEET 1 OF 1



THIRD ANGLE PROJECTION



DIMENSIONS ARE IN MILLIMETERS TOLERANCES: FRACTIONAL \pm ANGULAR: MACH \pm BEND \pm TWO PLACE DECIMAL \pm 0.005" THREE PLACE DECIMAL \pm	DRAWN: JT	Terminal Washer
	DATE: 01OCT13	
MATERIAL ABS, white	COMMENTS: Jim Tidwell Tel: (619) 920-9030 jtidwell@speakeasy.net	SIZE Custom
FINISH As cast	8.5 x 11 Paper	FILENAME / DWG. NO. SW10_906TailLight_Washer_Drawing
DO NOT SCALE DRAWING		SCALE: 1:1 WEIGHT: 0.08 grams
		REV. SHEET 1 OF 1